



Lubricated Reciprocating Industrial Air Compressor

Built strong to last long

ELGi
Always Better.



www.elgi.com

05 - 15 HP / 16 - 50 cfm

Evolution of the Compressor

1960



2016



Robust, reliable and long lasting

Lubricated Reciprocating Industrial Air Compressor

ELGi reciprocating air compressors are designed for optimum efficiency while requiring minimum maintenance to meet your demands of compressed air.



Oil sight glass as a standard that results in convenient top-up



Aerodynamically designed fan with large blades for higher air flow



A ASME coded relief valve for interstage and tank pressure



B All components completely pre-piped, pre-wired and operationally tested



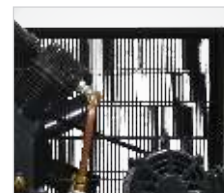
C Magnetic starter ensures smooth start and stop of the motor



D NEMA Premium efficiency motor as a standard feature



E ASME coded air receiver tanks that are safe, reliable and maintenance friendly



F Totally enclosed belt guard conforming to OSHA Safety standards assures accident free operation

Core values that benefits the customer



High reliability:

Enhanced life of consumables and lesser service points ensures lower down time of the compressor



Cost effective:

Offers low life cycle cost with zero compromise on performance and quality



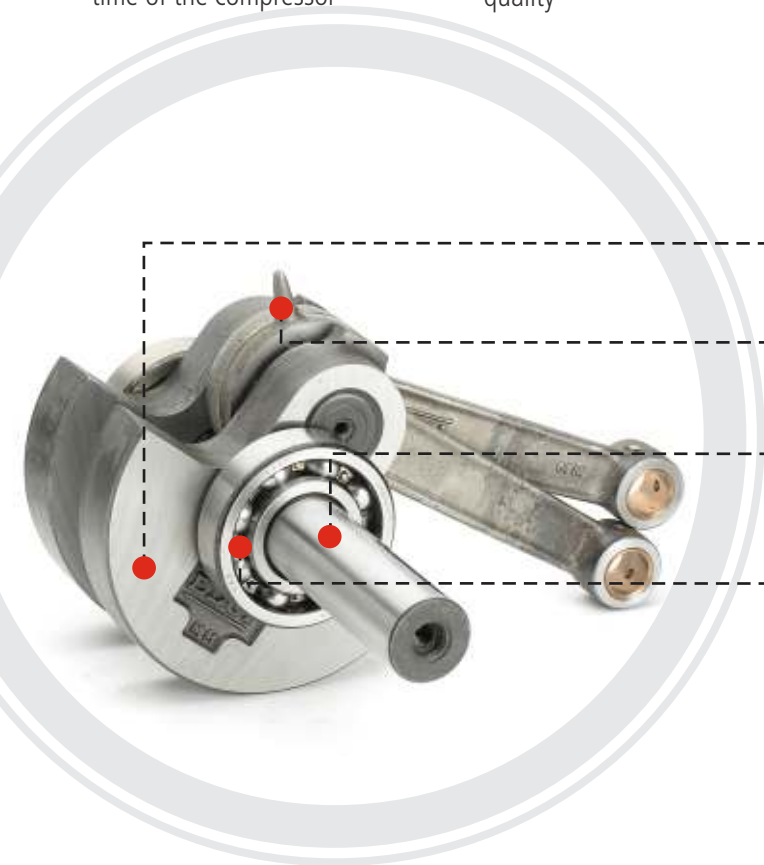
Energy efficient:

Aluminum cooler tubes ensuring superior heat dissipation for higher operating efficiency



Operator safety:

Compressor design confirms to ASME design code and OSHA Safety standards

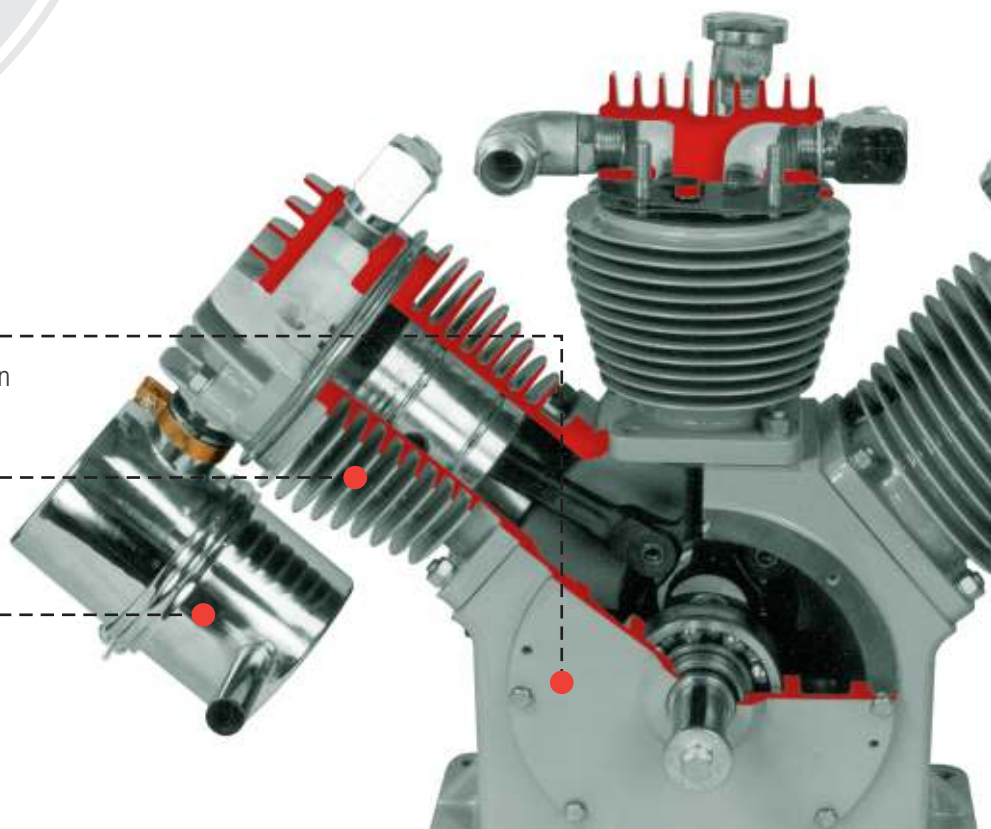


Balanced counter weight for even distribution of the load

Simple and effective splash lubrication system

Forged crank shaft and connecting rod that are more rigid and designed for longer life

Double supported industrial ball bearings to handle thrust loads and ensure longer life of the compressors



• **Robust and Complete cast iron** construction that makes it rigid and less prone to vibration

• **Deep fins** which ensure 360° cooling for the cylinders

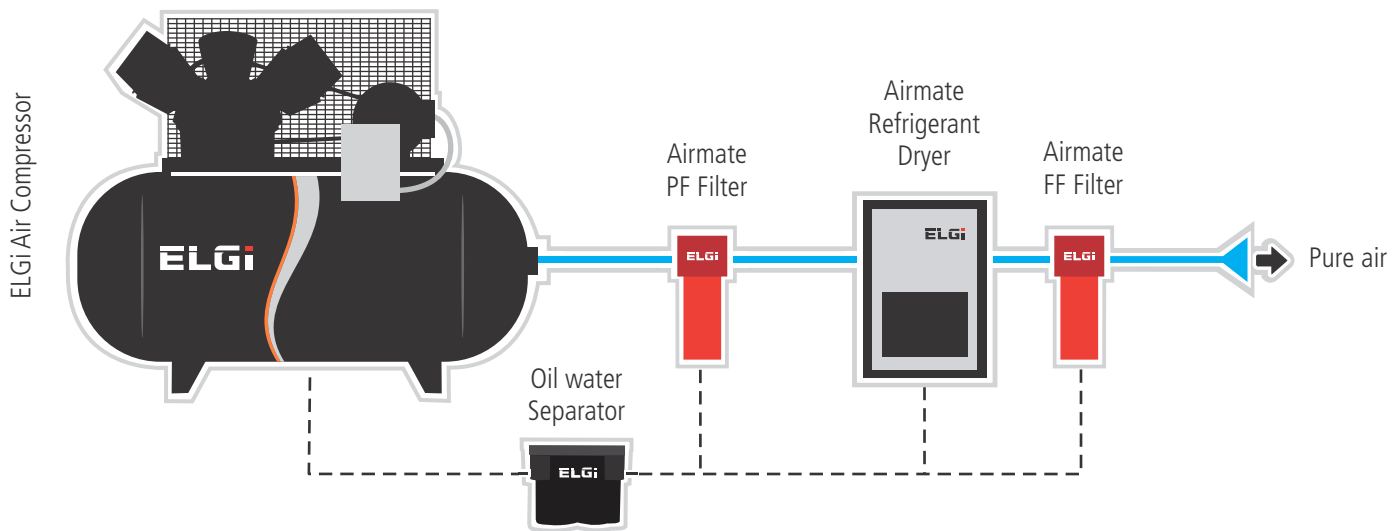
• **Heavy duty industrial air filters** which offers clog free filtered air and does not compromise on flow

Technical Specification

Model	Motor Power		Free Air Delivery		Maximum Working Pressure		Dimensions			Weight	Tank	
	HP	kW	m ³ /min	cfm	psi	bar g	Length	Breadth	Height	lbs	gal	Type
TS05-175 80V	5.0	3.7	0.47	16.8	175	12	34	25	73	680	80	Vertical
TS07-175 80V	7.5	5.5	0.67	24.0	175	12	34	25	73	740	80	Vertical
TS10-175 120H	10.0	7.5	1.02	36.1	175	12	72	29	56	1000	120	Horizontal
TS15-175 120H	15.0	11.0	1.41	50.0	175	12	72	29	56	1125	120	Horizontal

Note: "Duplex models also available. Contact Elgi for more information"

Typical compressed air system



Features

Standard	Optional
ODP NEMA premium efficient motor	Zero loss drain
Motor overload protector	Tank timer drain
Magnetic starter	Air cooled after coolers
Finned Inter-cooler	200 gallon tank for 10 to 15 HP compressor
Ball valve tank drain	TEFC motor
Oil sight glass	Isolation pads on horizontal tank
Load-less starting	Base mounted option
Pressure gauge	Synthetic lubricant
ASME coded relief valve	Duplex models
ASME coded receiver tank	-
Factory filled lubricants	-
OSHA compliant belt guard	-